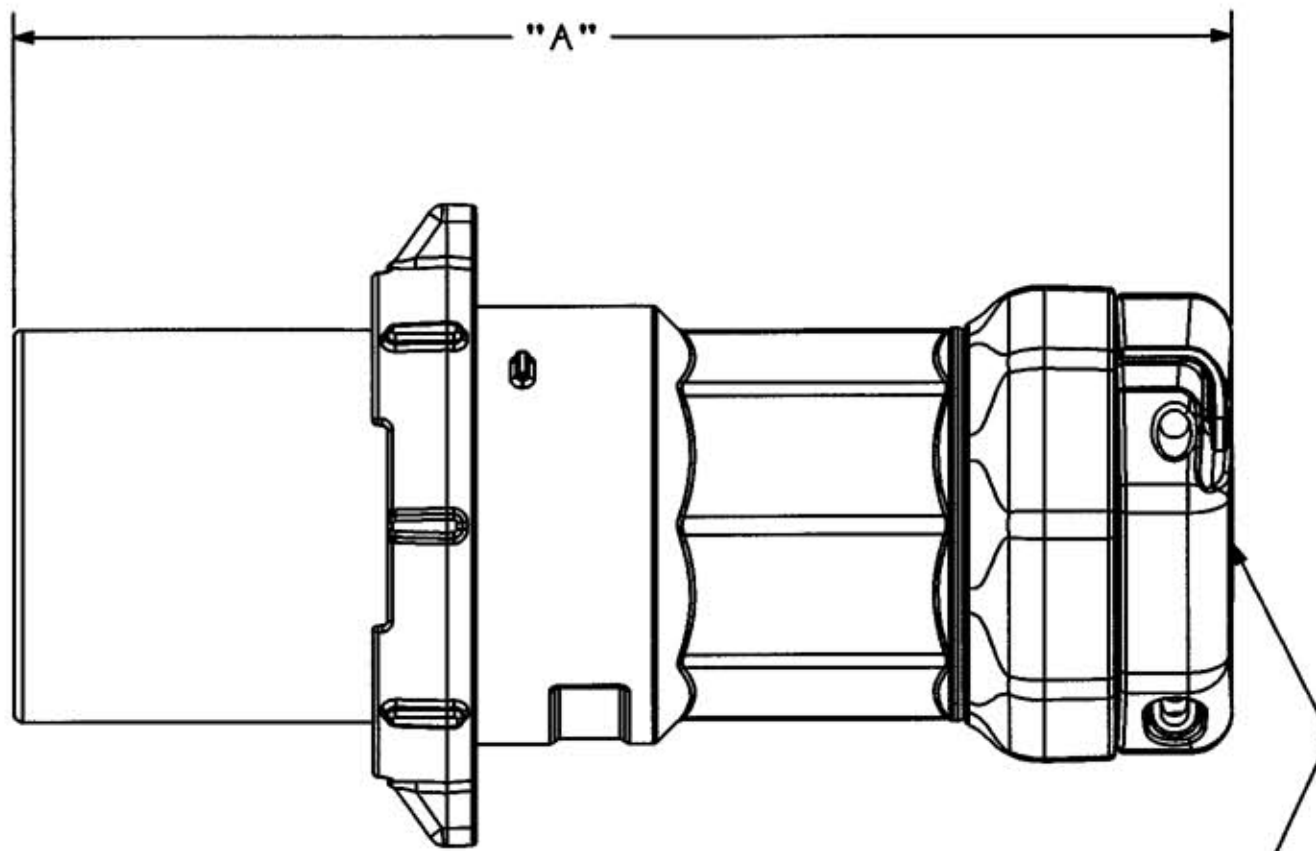
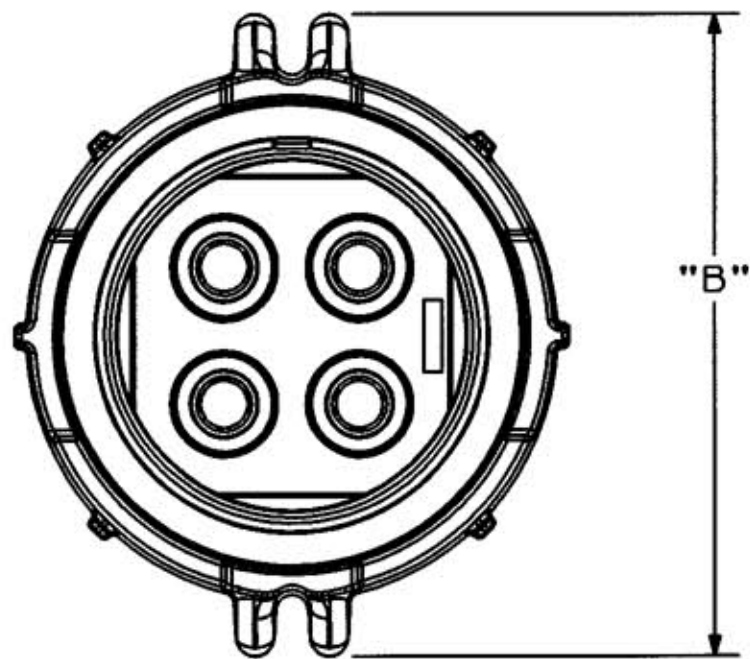


M-8223 3



CABLE DIA.
1.0 MIN.
(25.4)

2.5 MAX.
(63.5)

NOTES: (UNLESS OTHERWISE SPECIFIED)

1) DIMENSION FORMAT IS: INCHES
[mm]

TABLE

AMPS	MAX VOLTAGE AC/DC	CONNECTOR CATALOG NUMBER	PLUG			DIM "A"		DIM "B" ϕ	
			STYLE	POLE	WIRE	INS.	mm	INS.	mm
200	600/250	HBL4200PS1W	S1	3P	4W	11.13	282.7	6.35	161.3
200	600/250	HBL3200PS2W	S2	2P	3W				
200	600/250	HBL5200PS1W	S1	4P	5W	11.13	282.7	6.70	170.2
200	600/250	HBL4200PS2W	S2	3P	4W				

LIST OF PARTS

DESCRIPTION	MATERIAL	FINISH
O-RING	RUBBER	
SLEEVES	BRASS	
LOCK COLLAR	ALUMINUM	
SHROUD	ALUMINUM	
SET SCREW	STAIN STEEL	
SCREWS	STAIN STEEL	
SPRING WASHER	COPPER ALLOY	
GROUND POST	BRASS	
GROUND STRAP	COPPER ALLOY	
PLUG HOUSING	ALUMINUM	BLACK
CLAMP GUIDE	ALUMINUM	GRAY EPOXY
CLAMP	ALUMINUM	GRAY EPOXY
CLAMP INSERTS	ALUMINUM	GRAY EPOXY
ONION SKIN GROMMET	RUBBER	
INTERIOR	THERMOSET POLYESTER	

SYM	REVISIONS	APP	DATE
3	REVISED TABLE, ADDED "SEE TABLE", & NOTE 1; DRAWING TITLE WAS "200A PIN & SLEEVE PLUG ASSEMBLY STYLES 1 & 2"; REMOVED "mm" FROM DIMENSIONS; PER DCN #8895. JMN	TCM	1/24/02
2	2/25/00 ADDED CABLE DIA. ADDED MM DIM TO TABLE PER DCN 6793-4 ALM	RDK	3/20/00
1	RELEASED PER DCN-6793 5/28/99 MJM RDK	RDK	6/7/99

THE DESIGN AND DIMENSIONS OF THE PRODUCT SHOWN ON THIS DRAWING ARE SUBJECT TO CHANGE WITHOUT NOTICE

TITLE
200A INSULGRIP PIN & SLEEVE PLUG
STYLE 1 & 2

TOLERANCES UNLESS OTHERWISE SPECIFIED	WIRING DEVICE-KELLEMS HUBBELL INCORPORATED BRIDGEPORT, CT	
FRACTIONS $\pm 1/64$	DR. BY MJM	APP. BY
3DECIMALS $\pm .005$	TR. BY	SCALE 1/2 SIZE
ANGLES $\pm 2^\circ$	CHK'D BY	DATE 5/24/99
2 DECIMALS $\pm .030$		

DIMENSION SHEET FOR CAT. NO. SEE TABLE

REPAIRABLE

NON-REPAIRABLE

8

M-8223

3